

Products / Semaphore poles

Semaphore poles with straight octagonal section, made from S355 J2G3 UNI EN 10025, folded sheet steel, welded lengthwise in accordance with the process certified by the "Italian Institute of Welding".

The projection arm has a circular section and it is fixed to the pole by a self centring ring and bolts.

Hot dip galvanized in accordance with UNI EN ISO 1461 and supplied with cable entry-slots, earthing device and door opening.

Calculation references:

D.M. 9 January 1996


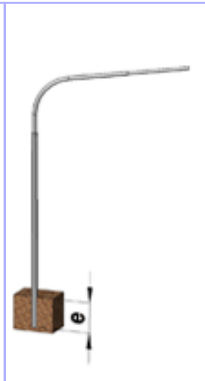
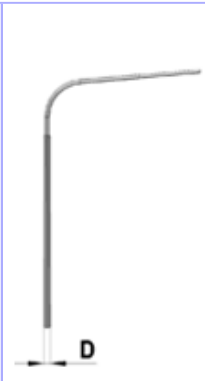
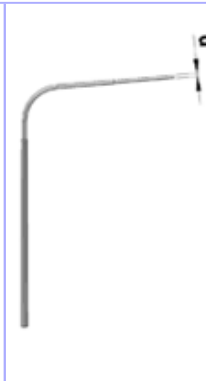
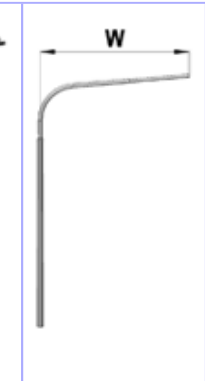

D.M. 16 January 1996

Circolare Min. LLPP 15 October 96 n° 252


Circolare Min. LLPP 4 July 1996 n° 156

CNR 10011/97

Dimensions:

						
TYPE	mm	mm	mm	mm	mm	Kg
SE 04	7400	800	180	114	4000	163
SE 05	7600	1000	211	114	5000	208
SE 06	7600	1000	211	114	6000	220

STRAIGHT SEMAPHORE COLUMN

		
TYPE		Kg
SE 1036	Straight semaphore column H=m. 3,6 Diameter 102 mm.	28

SEMAPHORE POLES CLOSING DOOR

SMV/OTT	Closing door fitting with octagonal section
----------------	---