

Cable accessories for shipbuilding and off-shore units

The security on ships and off-shore units demand for high reliability. Therefore, Cellpack presents system solutions for all kind of electrical cables. The system for superior security



Systems For Professionals

CELLPACK
Electrical Products

a **BBC** GROUP company

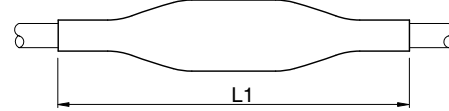
SMH

Heat-shrinkable straight-through joint for unarmoured polymeric cables and conductors



Universal applications to connect low voltage plastic insulated cables or conductors insulated with PVC, PE and XLPE, for example MGG, MSK(H), MPRX. Suitable for compression connectors on aluminium and copper conductors.

Dimensions



Characteristics

- Compact dimensions
- Wide conductor and cross-section range
- Resistant to chemical agents
- Resistant to alkaline earth elements
- UV-resistant
- Free from paint-wetting inhibiting substances
- Transversely waterproof
- High electrical insulating values
- High mechanical strength

Application

- Indoor
- Outdoor
- Underground
- Water
- Installation ducts
- Ductwork
- Areas with increased fire safety requirements

Scope of delivery

- Outer sleeve
- Inner sleeves

Note

- Connectors not included

Tests

- CENELEC HD 623 (VDE 0278 part 623)

Storage conditions/Shelf life

- Unlimited shelf life

Type	Nominal cross section per conductor Polymeric cable mm ²		L1 mm	Art.-No.	
	3x	4x			
U₀/U (U_m) 0.6/1 (1.2) kV					
SMH3/4	1.5-4 LR/GL-BV	1.5 – 4	1.5 – 4	350	145409
	6-16 LR/GL-BV	6 – 16	6 – 16	500	145410
	25-35 LR/GL-BV	25 – 35	25 – 35	550	145411
	50-120 LR/GL-BV	50 – 120	50 – 120	700	145412

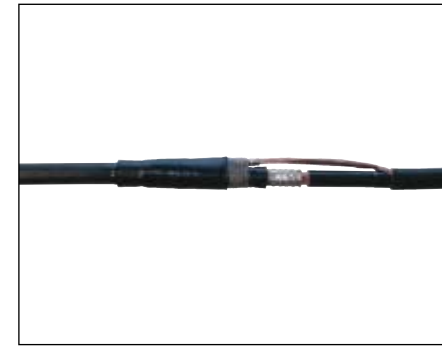
Appropriate connectors must be ordered separately.

Approvals

- Shipbuilding license, Det Norske Veritas, LV-Furnitures, Certificate-No. E-9379
- Shipbuilding license, Lloyd's Register, LV-Tubes/Furnitures, Certificate-No. 96/20024
- Shipbuilding license, Germanischer Lloyd, LV-Furnitures, Certificate-No. 98 732 - 96 HH
- Shipbuilding license, American Bureau of Shipping, LV-Tubes/Furnitures, Certificate-No. 07-HG271120-PDA

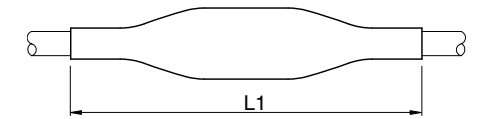
SMHC...

Heat-shrinkable straight-through joint for polymeric cable with concentric conductor



Universal applications to connect low voltage plastic insulated cables or conductors insulated with concentric conductor and PVC, PE and XLPE (e.g. MGCG, MSK(H)C, K1XCX, MPRXCX).

Dimensions



Characteristics

- High electrical insulating values
- Transversely waterproof
- Halogen-free
- Free from paint-wetting inhibiting substances
- High mechanical strength
- Resistant to chemical agents
- Resistant to alkaline earth elements
- UV-resistant
- Wide conductor and cross-section range
- Compact dimensions
- Unlimited shelf life

Application

- Indoor
- Outdoor
- Underground
- Water
- Installation ducts
- Ductwork
- Areas with increased fire safety requirements

Scope of delivery

- Outer sleeve
- Inner jacket sleeve
- Inner sleeves
- Copper braid tape
- Assembly instructions

Note

- Connectors not included
- Storage conditions/Shelf life**
- Unlimited shelf life

Type	Nominal cross section per conductor mm ²		L1 mm	Art.-No.	
U₀/U (U_m) 0.6/1 (1.2) kV					
SMHC3/4	1.5-4 LR/GL	1.5/1.5 – 4/4	1.5/1.5 – 4/4	350	145413
	6-16 LR/GL	6/6 – 16/16	6/6 – 16/16	500	145414
	25-35 LR/GL	25/25 – 35/35	25/25 – 35/35	550	145415
	50-120 LR/GL	50/50 – 150/150	50/50 – 150/120	700	145416

Appropriate connectors must be ordered separately.

Approvals

- Shipbuilding license, American Bureau of Shipping, LV-Tubes/Furnitures, Certificate-No. 07-HG271120-PDA
- Shipbuilding license, Det Norske Veritas, LV-Furnitures, Certificate-No. E-9379
- Shipbuilding license, Germanischer Lloyd, LV-Furnitures, Certificate-No. 98 732 - 96 HH
- Shipbuilding license, Lloyd's Register, LV-Tubes/Furnitures, Certificate-No. 96/20024

SMHV Heat-shrinkable straight-through joint for control cable and signal cable



Universal applications to connect control cables and signal cables (e.g.: MGCG, MSK(H)C, K1KCX, MPRXCX).

Characteristics

- Compact dimensions
- Resistant to chemical agents
- Resistant to alkaline earth elements
- UV-resistant
- Free from paint-wetting inhibiting substances
- Transversely waterproof
- High electrical insulating values
- High mechanical strength

Application

- Indoor
- Outdoor
- Underground
- Water
- Installation ducts
- Ductwork
- Areas with increased fire safety requirements

Scope of delivery

- Outer sleeve
- Inner jacket sleeve
- Inner sleeves
- Copper braid tube
- Pressure springs
- Assembly instructions

Type	Number of conductors Control and signal cable		Nominal cross section mm ²	L1 mm	Art.-No.	
	1.5 mm ²	2.5 mm ²				
U₀/U (U_m) 0.6/1 (1.2) kV						
SMHV	5/10 1.5-2.5 LR/GL	10	5	1.5 - 2.5	400	145417
	12/16 1.5-2.5 LR/GL	16	12	1.5 - 2.5	550	145418
	19/24 1.5-2.5 LR/GL	24	19	1.5 - 2.5	550	145419
	26/38 1.5-2.5 LR/GL	38	26	1.5 - 2.5	550	145420

Approvals

- Shipbuilding license, American Bureau of Shipping, LV-Tubes/Furnitures, Certificate-No. 07-HG271120-PDA
- Shipbuilding license, Germanischer Lloyd, LV-Furnitures, Certificate-No. 98 732 - 96 HH
- Shipbuilding license, Lloyd's Register, LV-Tubes/Furnitures, Certificate-No. 96/20024
- Shipbuilding license, Det Norske Veritas, LV-Furnitures, Certificate-No. E-9379

SMHF ... LR/GL Heat-shrinkable straight-through joint for unarmoured polymeric cables and conductors, flame-retardant



Universal applications to connect control cables and signal cables (e.g.: FMGCG, FMK(H)Ce, MPRXCX).

Characteristics

- Compact dimensions
- Resistant to chemical agents
- Resistant to alkaline earth elements
- UV-resistant
- Free from paint-wetting inhibiting substances
- Waterproof and moisture-resistant
- High electrical insulating values

Application

- Indoor
- Outdoor
- Underground
- Water
- Installation ducts
- Ductwork
- Areas with increased fire safety requirements

Storage conditions/Shelf life

- Unlimited shelf life

Type		Number of twisted pairs Control and signal cable d = 0.8mm	Number of conductors Control and signal cable 0.75 mm ²	Art.-No.
SMHF	1 LR/GL	7	8	145425
	2 LR/GL	19	28	145426
	3 LR/GL	48	48	145427

Conductor connectors and branching assembly kits must be ordered separately. Separate MSFA assembly kit required for each branch.

Approvals

- Shipbuilding license, Det Norske Veritas, LV-Furnitures, Certificate-No. E-9379
- Shipbuilding license, Lloyd's Register, LV-Tubes/Furnitures, Certificate-No. 96/20024
- Shipbuilding license, Germanischer Lloyd, LV-Furnitures, Certificate-No. 98 732 - 96 HH
- Shipbuilding license, American Bureau of Shipping, LV-Tubes/Furnitures, Certificate-No. 07-HG271120-PDA

SRUM

Medium wall heat shrink tubing

self-extinguishing, flexible, shrinkage ratio 3:1 or 4:1



Characteristics

- Medium-walled
- With hot melt adhesive
- Easy to mark
- Resistant to chemical agents
- UV-resistant
- Free from paint-wetting inhibiting substances
- Non-corrosive
- Infusible
- High flexibility
- Superior electrical properties
- High tensile strength
- Resistant to cold flow (thermally stable)
- Self-extinguishing

Application

- Insulating
- Bundling
- Marking
- Corrosion protection
- Mechanical protection

Material

- Cross-linked polyolefin
- Free of lead and cadmium

Tests

- Corresponds to MIL-I-23053/4

Colour(s)

black

Type	Recovered wall thickness of tube mm	Recovered adhesive wall thickness mm	Internal diameter D		L m	Art.-No.
			before shrinkage mm	after shrinkage mm		
with adhesive, 1m pieces, shrink ratio 3:1						
SRUM	3-1	1.0	0.4	3	1	148840
	6-2	1.2	0.5	6	1	149433
	9-3	1.4	0.5	9	1	152008
	12-4	1.7	0.6	12	1	148842
	19-6	2.1	0.6	19	1	150148
	24-8	2.4	0.7	24	1	150278
	40-13	2.4	0.7	40	1	150149

A standard roll may include sections which have been tied together. Also available in 1000 mm lengths. Other lengths available to order.

SRFH2

Medium wall heat shrink tubing

self-extinguishing, shrinkage ratio 3:1, with or without hot melting adhesive



Characteristics

- Medium-walled
- Easy to mark
- Resistant to chemical agents
- UV-resistant
- Free from paint-wetting inhibiting substances
- Non-corrosive
- Infusible
- Superior electrical properties
- High tensile strength
- Resistant to cold flow (thermally stable)
- Self-extinguishing

Application

- Insulating
- Protection against moisture and pressure
- Particularly suitable for heat-shrink joints and terminations used in shipbuilding

Material

- Cross-linked polyolefin
- Free of lead and cadmium

Colour(s)

black

Type	L m	Internal diameter D		Recovered wall thickness mm	Art.-No.	
		before shrinkage mm	after shrinkage mm			
without adhesive, 1m pieces, authorisation for shipbuilding						
SRF2	12-4	1	12	4	2.60	144487
with adhesive, 1m pieces, authorisation for shipbuilding						
SRFH2	8-2.5	1	8	2.5	2.00	156847
	12-4	1	12	4	2.60	144493
	21-7	1	21	7	2.60	144498

Other lengths available to order.

Approvals

- Shipbuilding license, American Bureau of Shipping, LV-Tubes/Furnitures, Certificate-No. 07-HG271120-PDA
- Shipbuilding license, Det Norske Veritas, LV-Tubes, Certificate-No. E-9378
- Shipbuilding license, Germanischer Lloyd, LV-Furnitures, Certificate-No. 98 732 - 96 HH
- Shipbuilding license, Lloyd's Register, LV-Tubes/Furnitures, Certificate-No. 96/20024

SRF3, SRFH3

Thick wall heat-shrink tubing

self-extinguishing, shrinkage ratio 3:1, with or without hot melting adhesive



Characteristics

- Thick-walled
- Easy to mark
- Resistant to chemical agents
- UV-resistant
- Free from paint-wetting inhibiting substances
- Non-corrosive
- Infusible
- Superior electrical properties
- High tensile strength
- Resistant to cold flow (thermally stable)
- Self-extinguishing

Application

- Insulating
- Protection against moisture and pressure
- Particularly suitable for heat-shrink joints and terminations used in shipbuilding

Material

- Cross-linked polyolefin
 - Free of lead and cadmium
- Colour(s)**
- black

Type	Internal diameter D		Recovered wall thickness mm	L m	Art.-No.	
	before shrinkage mm	after shrinkage mm				
without adhesive, 1m pieces, authorisation for shipbuilding						
SRF3	30-8	30	8	3.50	1	144504
	40-13	40	13	3.50	1	144507
	48-15	48	15	3.80	1	144514
	65-21	65	21	3.80	1	144517
	80-26	80	26	3.80	1	144521
with adhesive, 1m pieces, authorisation for shipbuilding						
SRFH3	30-8	30	8	3.50	1	144527
	40-13	40	13	3.50	1	144536
	65-21	65	21	3.80	1	144552
	80-26	80	26	3.80	1	144559

Other lengths available to order.

Approvals

- Shipbuilding license, American Bureau of Shipping, LV-Tubes/Furnitures, Certificate-No. 07-HG271120-PDA
- Shipbuilding license, Det Norske Veritas, LV-Tubes, Certificate-No. E-9378
- Shipbuilding license, Germanischer Lloyd, LV-Furnitures, Certificate-No. 98 732 - 96 HH
- Shipbuilding license, Lloyd's Register, LV-Tubes/Furnitures, Certificate-No. 96/20024

CHE-I

Single-core indoor termination

for all polymeric single-core cables



Type CHE-I terminations are suitable for all single-core plastic-insulated cables (PVC, PE, XLPE, EPR) with different types of semi-conducting layers (graphite-coated or strippable) and screening (copper wire or tape).

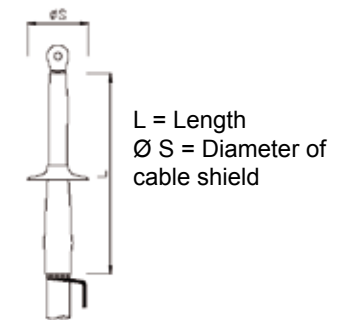
Characteristics

- Flexible silicone stress control elements ensure reliable stress control under all operating conditions
- Combination of slip-on and heat-shrink components
- Compatible with all cable lugs
- Wide cross-section range
- Quick, safe and easy assembly
- Ready for immediate operation

Application

- Indoor

Dimensions



Note

- Cable lugs not included
- 12 kV terminations must be used for 7.2 kV cables (Check minimum diameter over conductor insulation). Each unit contains materials for one set of three terminations.

Scope of delivery

- Tracking-resistant heat-shrink tubing
- Silicone stress-control elements
- Silicone sheds
- Sealing tape
- Assembly instructions
- 1 Set for 3 phases

Tests

- CENELEC HD 629.1 (DIN VDE 0278, part 629-1)

Type	insulated diameter after removal of the outer conducting layer mm	Number of sheds per phase	Ø S mm	Nominal cross section mm ²		L mm	Art.-No.
				12kV	17.5kV		
U₀/U (U_m) 6/10 (12)kV - 6.35/11 (12)kV							
CHE-I 12kV	10-25	9.9		10 - 25		300	193414
	25-95	12.6		25 - 95		300	193416
	95-240	17.3		95 - 240		300	194017
	150-400	19.9		150 - 400		300	194018
	240-500	23.1		240 - 500		300	194019
	400-800	27.3		400 - 800		300	194030
	800-1000	36.8		800 - 1,000		300	194031
U₀/U (U_m) 8.7/15 (17.5)kV							
CHE-I 17kV	16-50	12.6	1	80	16 - 50	300	194033
	70-240	17.3	1	85	70 - 240	300	194034
	120-300	19.9	1	85	120 - 300	300	194035
	185-400	23.1	1	85	185 - 400	300	194036
	300-630	27.3	1	115	300 - 630	300	194037
	630-1000	36.8	1	123	630 - 1,000	300	194038

Appropriate cable lugs must be ordered separately.

Type EGA earthing kit for cables with tape screen must be ordered separately.

Approvals

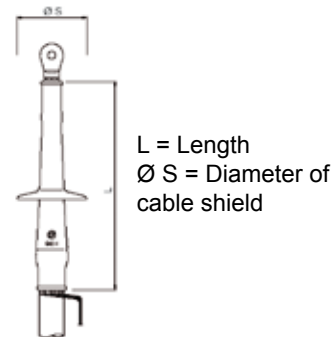
- Shipbuilding license, American Bureau of Shipping, MV-Terminations, Certificate-No. 07-HG270834-PDA
- Shipbuilding license, Det Norske Veritas, MV-Terminations, Certificate-No. E-9380
- Shipbuilding license, Germanischer Lloyd, MV-Terminations, Certificate-No. 15 598 - 00 HH
- Shipbuilding license, Lloyd's Register, MV-Terminations, Certificate-No. 03/20066

CAE-I Single-core indoor termination for all polymeric single-core cables



Type CAE-I terminations are suitable for all single-core plastic-insulated cables (PVC, PE, XLPE, EPR) with different types of semi-conducting layers (graphite-coated or strippable) and screening (wire or tape screen). Suitable for compression cable lugs.

Dimensions



L = Length
Ø S = Diameter of cable shield

Characteristics

- Wide cross-section range
- Silicone slip-on components for quick, safe and easy assembly
- Ready for immediate operation

Application

- Indoor

Note

- Compression cable lugs not included
- 12 kV terminations must be used for 7.2 kV cables (Check minimum diameter over conductor insulation).

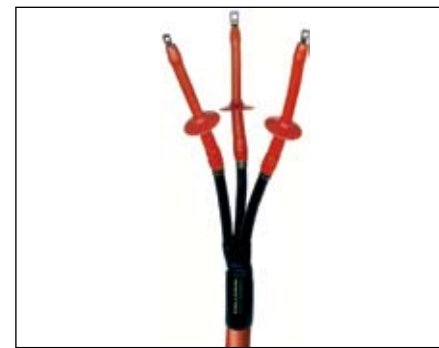
Scope of delivery

- 3 one-piece slip-on silicone terminations with integrated stress control element
- Sealing tape
- Assembly instructions

Tests

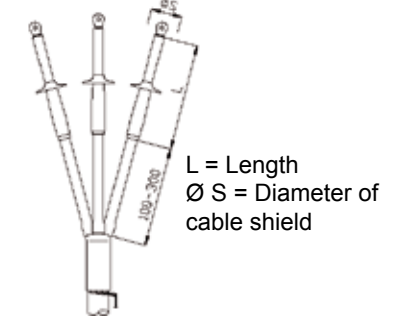
- CENELEC HD 629.1 (DIN VDE 0278, part 629-1)

CHE-3I(A) Three-core indoor termination for all 3-core polymeric cables



Type CHE-3I(A) terminations are suitable for all three-core plastic-insulated cables (PVC, PE, XLPE, EPR) with different types of semi-conducting layers (graphite-coated or strippable) and screening (copper wire or tape).

Dimensions



L = Length
Ø S = Diameter of cable shield

Characteristics

- Flexible silicone stress control elements ensure reliable stress control under all operating conditions
- Combination of slip-on and heat-shrink components
- Wide cross-section range
- Quick, safe and easy assembly
- Ready for immediate operation

Application

- Indoor

Note

- Cable lugs not included
- 12 kV terminations must be used for 7.2 kV cables (Check minimum diameter over conductor insulation).

Scope of delivery

- Tracking-resistant heat-shrink tubing
- Heat-shrink tube
- Silicone stress-control elements
- Silicone sheds
- Pressure spring
- Silicone stress control element
- Assembly accessories
- Sealing tape
- Assembly instructions

Tests

- CENELEC HD 629.1 (DIN VDE 0278, part 629-1)

Type	insulated diameter after removal of the outer conducting layer mm	Number of sheds per phase	Ø S mm	Nominal cross section mm ²		L mm	Art.-No.
				12kV	17.5kV		
U₀/U (U_m) 6/10 (12)kV - 6.35/11 (12)kV							
CAE-I 12kV	95-240	17.3	87	95 - 240		270	199151
	150-400	19.9	90	150 - 400		270	199152
	240-500	23.1	93	240 - 500		270	199154
	300-800	27.3	97	300 - 800		270	199155
U₀/U (U_m) 8.7/15 (17.5)kV							
CAE-I 17kV	50-185	17.3	87		50 - 185	270	199157
	95-240	19.9	90		95 - 240	270	199158
	150-400	23.1	93		150 - 400	270	199159

Appropriate cable lugs must be ordered separately.
Accessories for cables with tape screen must be ordered separately.

Approvals

- Shipbuilding license, American Bureau of Shipping, MV-Terminations, Certificate-No. 07-HG270834-PDA

Type	insulated diameter after removal of the outer conducting layer mm	Number of sheds per phase	Ø S mm	Nominal cross section mm ²		L mm	Art.-No.
				12kV	17.5kV		
U₀/U (U_m) 6/10 (12)kV - 6.35/11 (12)kV							
CHE-3I(A) 12kV	10-25	9.9		10 - 25		300	146228
	25-95	12.6		25 - 95		300	146216
	95-240	17.3		95 - 240		300	146217
	150-400	19.9		150 - 400		300	146218
U₀/U (U_m) 8.7/15 (17.5)kV							
CHE-3I(A) 17kV	16-50	12.6	1	16 - 50		300	195365
	70-240	17.3	1	70 - 240		300	171761
	150-300	19.9	1	150 - 300		300	171762
	185-400	23.1	1	185 - 400		300	171763

Appropriate cable lugs must be ordered separately.
Type EGA earthing kit for cables with tape screen and armoring must be ordered separately.

Approvals

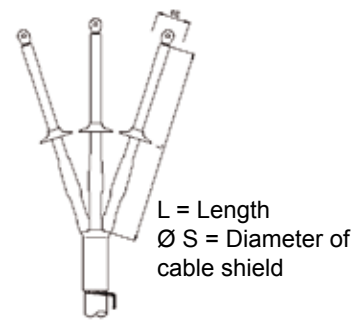
- Shipbuilding license, Det Norske Veritas, MV-Terminations, Certificate-No. E-9380
- Shipbuilding license, Germanischer Lloyd, MV-Terminations, Certificate-No. 15 598 - 00 HH
- Shipbuilding license, Lloyd's Register, MV-Terminations, Certificate-No. 03/20066

CHE-3I(B) Three-core indoor termination for all 3-core polymeric cables



Type CHE-3I(B) terminations are suitable for all three-core plastic-insulated cables (PVC, PE, XLPE, EPR) with different types of semi-conducting layers (graphite-coated or strippable) and screening (copper wire or tape).

Dimensions



Characteristics

- Flexible silicone stress control elements ensure reliable stress control under all operating conditions
- Combination of slip-on and heat-shrink components
- Wide cross-section range
- Quick, safe and easy assembly
- Ready for immediate operation

Application

- Indoor

Note

- Cable lugs not included
- 12 kV terminations must be used for 7.2 kV cables (Check minimum diameter over conductor insulation).

Scope of delivery

- Tracking resistant spreader cap
- Tracking-resistant heat-shrink tubing
- Silicone stress-control elements
- Silicone sheds
- Pressure spring
- Assembly accessories
- Sealing tape
- Assembly instructions

Tests

- CENELEC HD 629.1 (DIN VDE 0278, part 629-1)

Type	insulated diameter after removal of the outer conducting layer mm	Nominal cross section mm ²		L mm	Art.-No.
		12kV	17.5kV		
U₀/U (U_m) 6/10 (12)kV - 6.35/11 (12)kV					
CHE-3I(B) 12kV	10-25	9.9	10 - 25	350	184796
	25-95	12.6	25 - 95	350	173134
	95-240	17.3	95 - 240	350	173132
	150-400	19.9	150 - 400	350	180522
U₀/U (U_m) 8.7/15 (17.5)kV					
CHE-3I(B) 17kV	25-50	12.6	25 - 50	400	182731
	70-240	17.3	70 - 240	400	182732
	150-300	19.9	150 - 300	400	182733
	185-400	23.1	185 - 400	400	182734

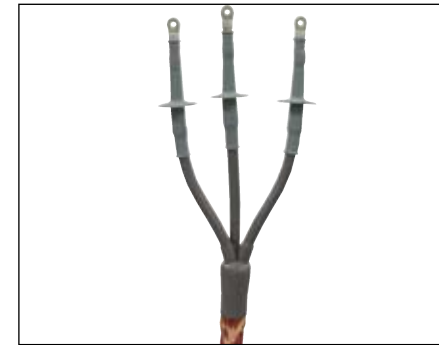
Appropriate cable lugs must be ordered separately.

Type EGA earthing kit for cables with tape screen must be ordered separately.

Approvals

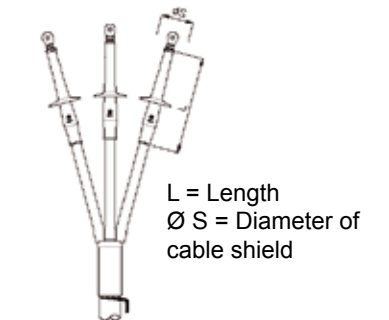
- Shipbuilding license, Det Norske Veritas, MV-Terminations, Certificate-No. E-9380
- Shipbuilding license, Germanischer Lloyd, MV-Terminations, Certificate-No. 15 598 - 00 HH
- Shipbuilding license, Lloyd's Register, MV-Terminations, Certificate-No. 03/20066

CAE-3I Three-core indoor termination for all 3-core polymeric cables



Type CAE-3I terminations are suitable for all three-core plastic-insulated cables (PVC, PE, XLPE, EPR) with different types of semi-conducting layers (graphite-coated or strippable) and screening (wire or tape screen).

Dimensions



Characteristics

- Wide cross-section range
- Silicone slip-on components for quick, safe and easy assembly
- Ready for immediate operation

Application

- Indoor

Note

- Compression cable lugs not included
- 12 kV terminations must be used for 7.2 kV cables (Check minimum diameter over conductor insulation).

Scope of delivery

- 3 one-piece slip-on silicone terminations with integrated stress control element
- Silicone tube
- Silicone cold-shrink spreader cap
- Assembly accessories
- Sealing tape
- Assembly instructions

Type	insulated diameter after removal of the outer conducting layer mm	Number of sheds per phase	Ø S mm	Nominal cross section mm ²		L mm	Art.-No.
				12kV	17.5kV		
U₀/U (U_m) 6/10 (12)kV - 6.35/11 (12)kV							
CAE-3I 12kV	95-240	17.3	1	87	95 - 240	270	199170
	150-400	19.9	1	90	150 - 400	270	199171
U₀/U (U_m) 8.7/15 (17.5)kV							
CAE-3I 17kV	50-185	17.3	1	87	50 - 185	270	199173
	95-240	19.9	1	90	95 - 240	270	199174
	150-400	23.1	1	93	150 - 400	270	199175

Appropriate compression cable lugs must be ordered separately.

Type EGA earthing kit for cables with tape screen must be ordered separately.

Approvals

- Shipbuilding license, American Bureau of Shipping, MV-Terminations, Certificate-No. 07-HG270834-PDA

WEST

Cellpack AG Electrical Products

Anglikerstrasse 99
5612 Villmergen
Schweiz
Tel. +41 (0) 56 618 12 34
Fax +41 (0) 56 618 12 45
verkauf.ep@cellpack.com

Cellpack GmbH

Carl-Zeiss-Straße 20
79761 Waldshut-Tiengen
Deutschland
Tel. +49 7741 6007-0
Fax +49 7741 64989
electrical.products@cellpack.com

Cellpack Benelux B.V.

Keersluisweg 13
1332 EE Almere Buiten
Nederland
Tel. +31 (0) 36 549 03 36
Fax +31 (0) 36 532 74 99
info@cellpack.nl

Behr Bircher Cellpack Ibérica, S.A.

C/.Mas Pujol, nr. 47 – Nave 4
Pol. Ind. Sector V
08520 – Les Franqueses del Valls
Barcelona – España
Tel. +34 93 846 63 76
Fax +34 93 849 12 06
comercial@cellpackiberica.com

Behr Bircher Cellpack BBC France s.à.r.l.

277, Boulevard des Technologies
54710 Ludres
France
Tel. +33.(0)3.83.25.60.07
Fax +33.(0)3.83.25.88.27
info@cellpack-ep.fr

EAST

Cellpack Polska Sp. z o.o.

ul Bokserska 64,
02-690 Warszawa
Polska
Tel. +48 022 853 53 54
Fax +48 022 853 53 56
biuro@cellpack.pl

ASIA

Cellpack Far East (PTE) LTD.

128 Joo Seng Road # 06 – 01
Singapore 368356
Tel. +65 6747 7024
Fax +65 6841 4554
info@cellpack.com.sg

Behr Bircher Cellpack BBC Malaysia Sdn. Bhd.

No. 8, Jalan TU 50
Taman Tasik Utama
Ayer Keroh
75450 Melaka
Malaysia
Tel. + 60 6 251 95 30
Fax + 60 6 251 95 31
info@cellpack.com.my
www.cellpack.com.my

Systems For Professionals

CELLPACK
Electrical Products

a **BBC GROUP** company

All about us:
www.bbcgroup.biz



www.cellpack.com